

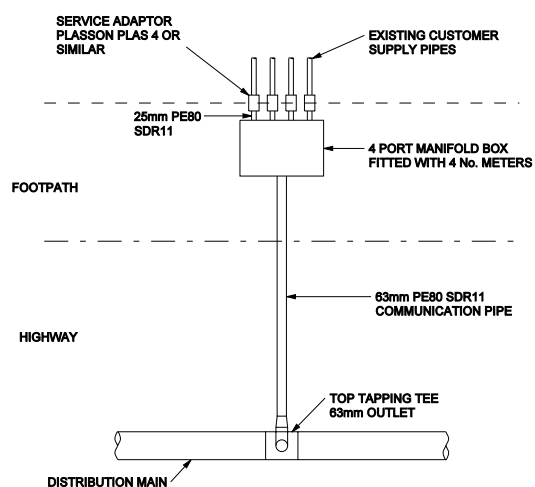
DO NOT SCALE - IF IN DOUBT ASK

NOTES :

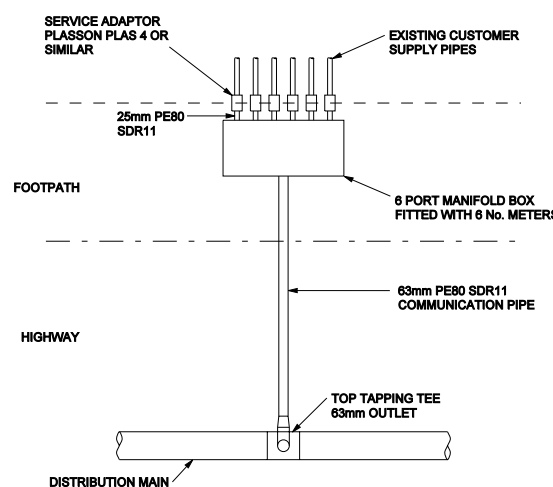
- 1.1 ALL DIMENSIONS ARE IN MILLIMETERS UNLESS OTHERWISE STATED.
- 1.2 SERVICE PIPE SHALL BE LAID PERPENDICULAR TO WATER MAIN
- 1.3 FLOW PLUGS SHALL NOT BE USED ON REDUNDANT MANIFOLD PORTS
- 1.4 A WATER PROOF LABEL OR TAG SHALL BE AFFIXED TO EACH METER INDICATING THE ADDRESS OF THE PROPERTY SERVED.

GUIDANCE NOTES:

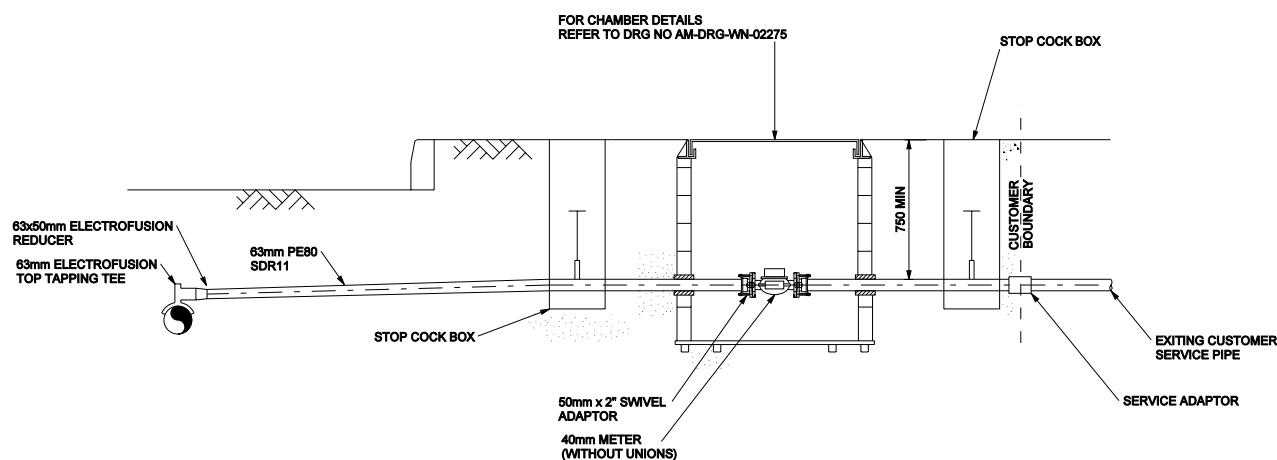
- A. THIS DRAWING DETAILS BEST PRACTICE AND SHALL BE ADHERED TO WHERE EVER PRACTICABLE. DEROGATION OF THE CONTENT ON INTENT OF THIS DRAWING REQUIRES WRITTEN CONSENT FROM THE TECHNICAL LEAD.
- B. WHERE APPLICABLE ALL MATERIALS SHALL BE FROM THAMES WATER FRAMEWORK SUPPLIERS.
- C. THE PIPE MATERIAL FOR USE IN CONTAMINATED LAND SHALL BE A THAMES WATER APPROVED BARRIER PIPE SYSTEM WHICH INCLUDES COMPATIBLE PIPE FITTINGS, JOINT PROTECTION AND METER BOXES.



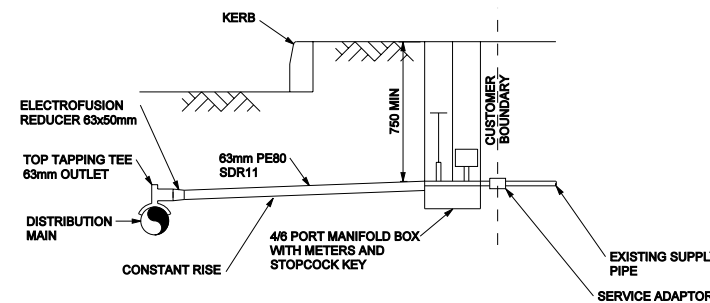
4 PORT MANIFOLD (THAMES SIDE)



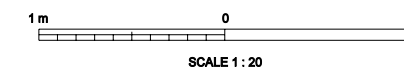
6 PORT MANIFOLD (THAMES SIDE)



50mm METERED COMMON SUPPLY



4/6 PORT MANIFOLD (THAMES SIDE)



DATA OWNER	ASSET MANAGEMENT STANDARDS MANAGER
TECHNICAL LEAD (S)	MICHAEL BRIGHT
DOCUMENT AUTHOR	TECHNICAL INFORMATION
AUTHORISED BY	STANDARDS BOARD
DOCUMENT LOCATION	AM STANDARDS
DATE OF ISSUE	30/09/2013
REASON FOR ISSUE	UPDATED AND REISSUE
REVIEW DATE	30/09/2015

Thames Water
ASSET MANAGEMENT
 CLEAR WATER COURT
 VASTERN ROAD, READING RG1 8DB

Location Code:	OS Reference:	Security Reference:	Drawn By:
Project Group:	TECHNICAL STANDARDS		Sub Process:
Location / Town:			
Site Name:			
Project Name: STANDARD DRAWINGS - MANDATORY			
Contract Name: WATER NETWORK			
Drawing Title: DISTRIBUTION MAIN - GENERAL 50mm CONNECTION AND METER DETAILS			
Drawing No.:	Scale:	Sheet Size:	Rev:
AM-DRG-WN-02272	1:20	A1	1.0